



ACE-CARS

Manual for BL Conversion Kit

Instructions on Page 1 - 6

Exploding Diagramm Page 7

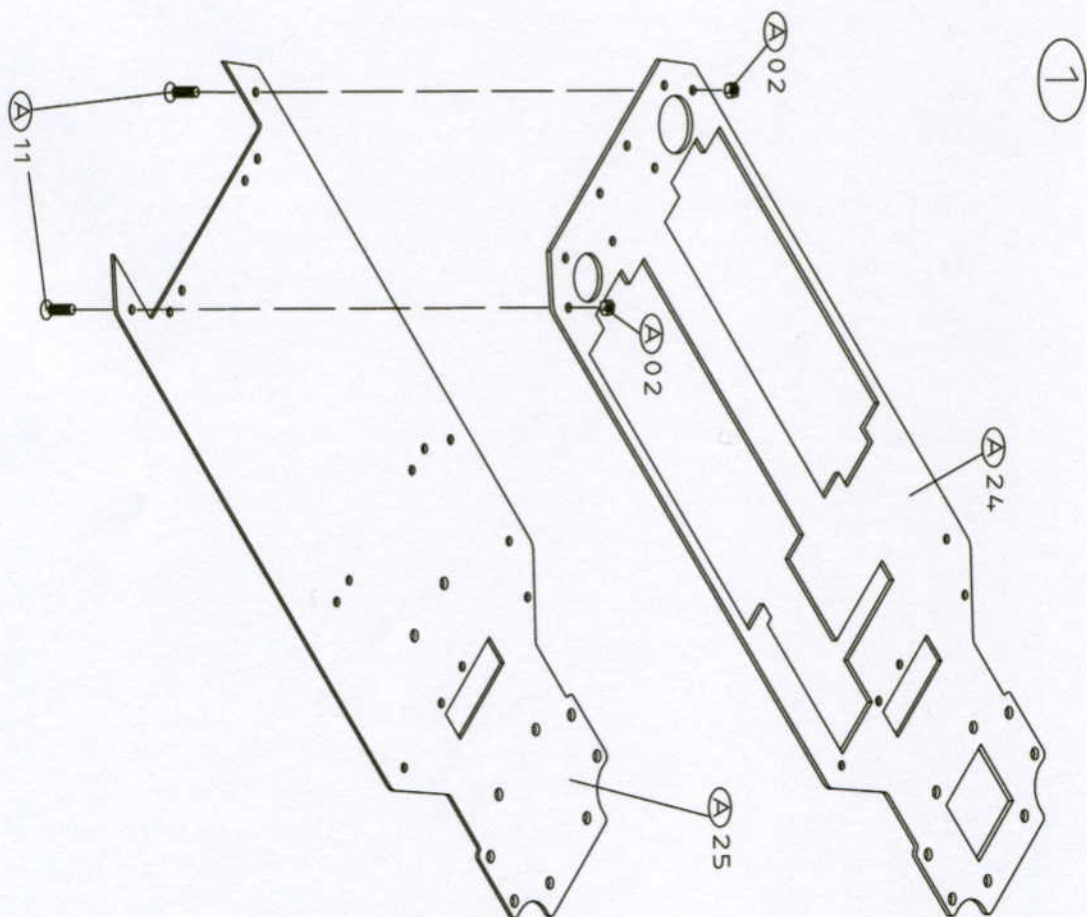
Partslist Page 8

Additional Information Page 9 - 12

Adress: Ace-Cars , Robert Baumgarten , Friedhofsweg 1 , 22337 Hamburg , Germany
Tel.: 0049 40 500 10 61 , E-Mail: constructor@ace-cars.info (or: .de)
Web: www.ace-cars.info

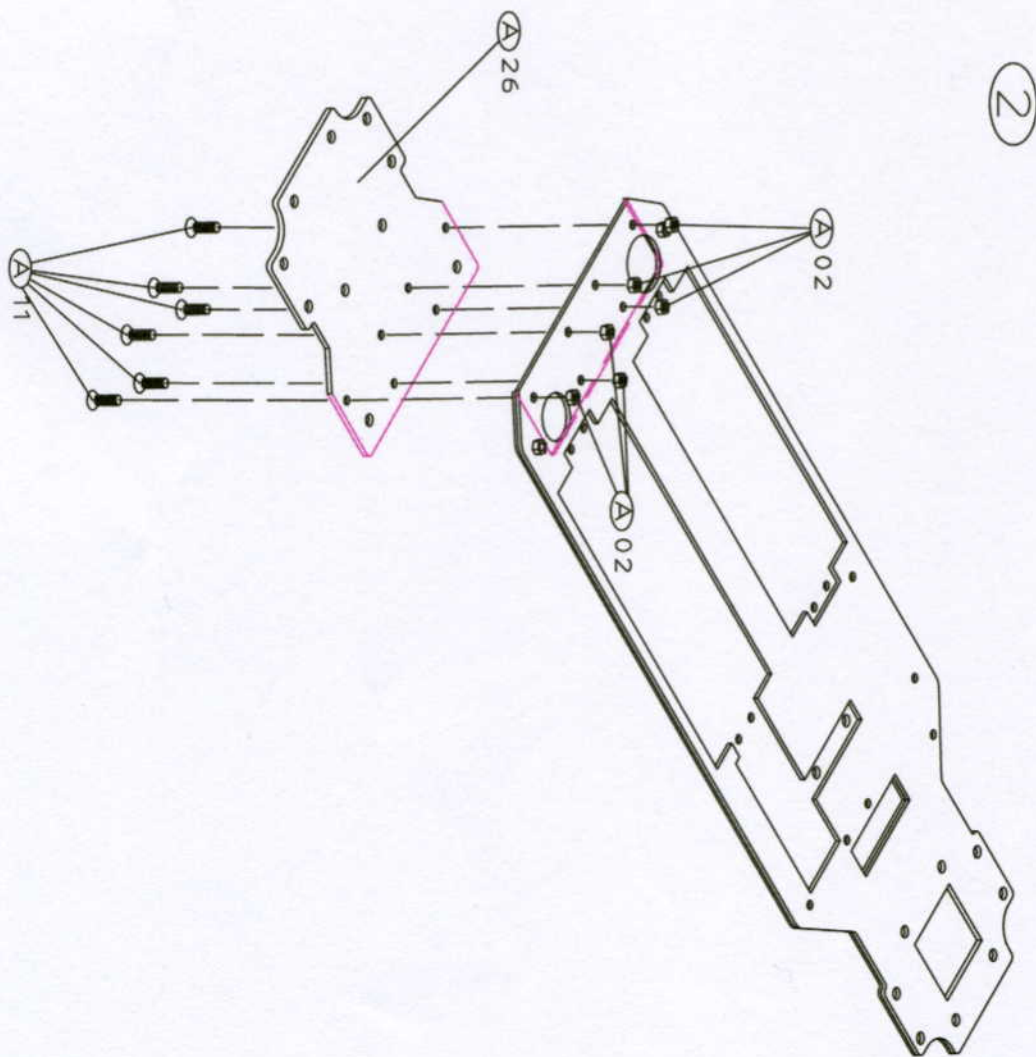
Required
Parts:

- 2x M3x8mm
Countersunk
Screw (A11)
- 2x M3 Lock Nut
(A02)
- 1x Upper
Chassisplate
Part (A24)
- 1x Lower
Chassisplate
Part (A25)



Required
Parts:

- 6 x M3x8mm
Countersunk
Screw (A11)
- 6 x M3 Lock Nut
(A02)
- 1x Aluminium
Front Plate
(A26)



3

Required Parts:

- 8x M3x5mm Countersunk Screw (A07)
- 4x Battery Holder Plates (A20)
- 2x Foam Part (Front) (A22)
- 2x Sticky Part (Rear) (A23)

Linkage Parts incl. Screws (and small Parts) are used from the Original Car.

